

SS-6 Infrared Floor Stand Kit

Portable mounting for TX9 transmitter and MOD 232 Modulator

INSTRUCTIONS FOR USE AND CARE

Figure:1

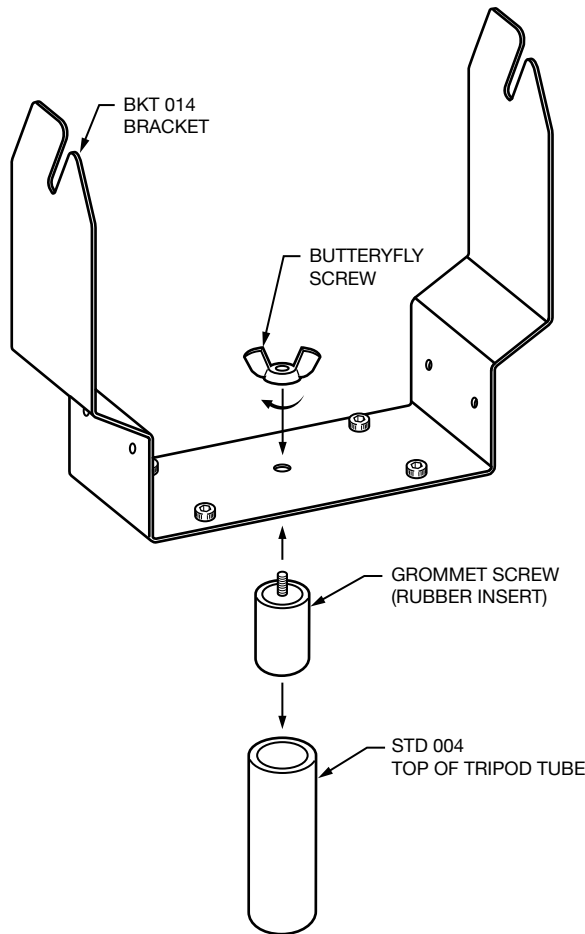
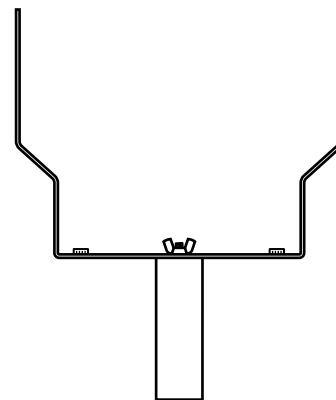


Figure:2

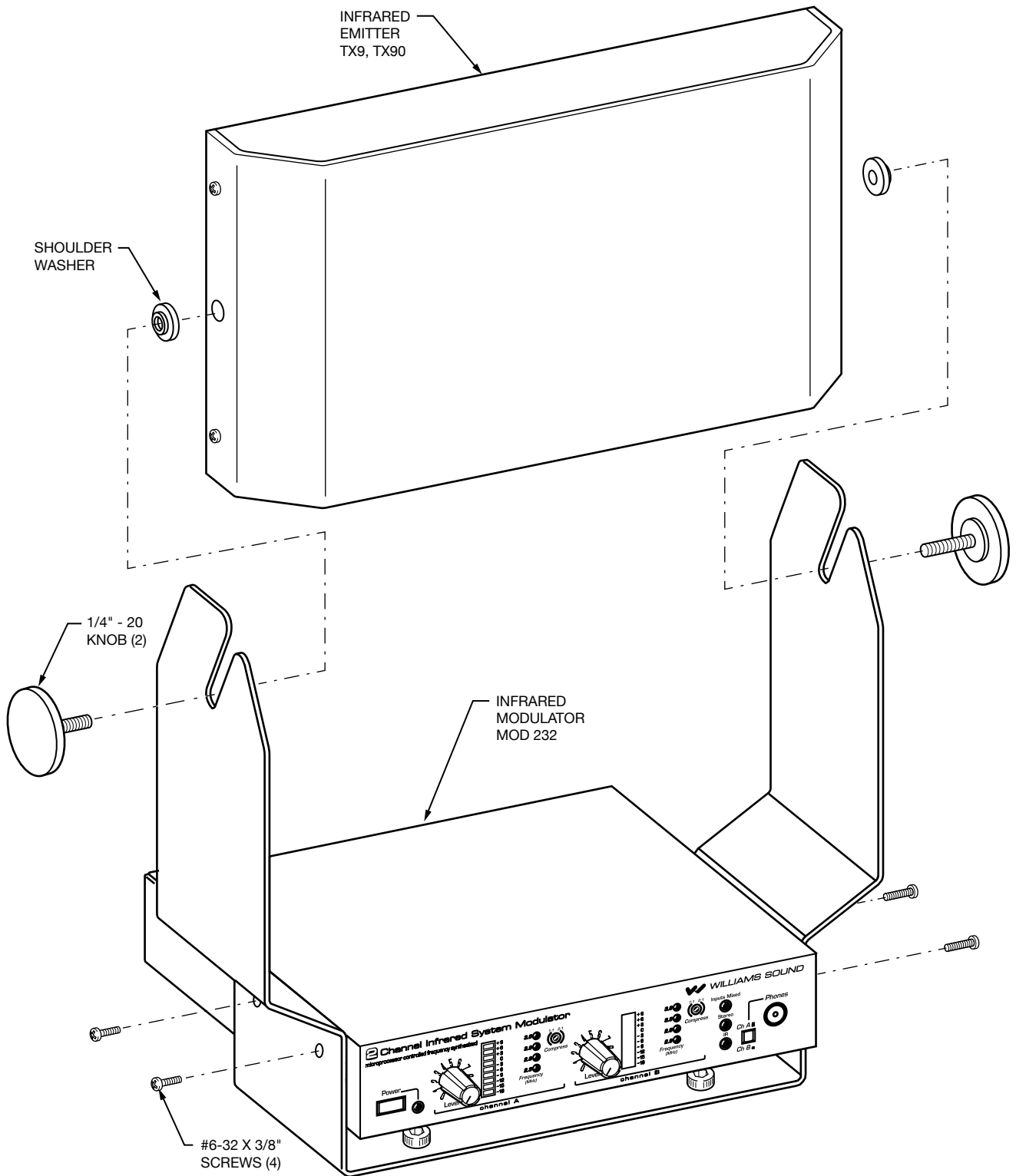


A173

Instructions for Use and Care

1. First, insert the grommet screw through the hole in the bottom of the BKT 014 bracket as illustrated in Figure A above.
2. Turn the butterfly screw clockwise (but do not tighten completely) so the grommet screw and BKT 014 bracket are held into place.
3. Carefully insert the grommet screw (with the attached BKT 014 bracket) in to the top of the tripod tube (STD 004) as illustrated in Figure A above. Be sure the BKT 014 bracket and the top of the tripod tube are aligned flush as illustrated in Figure B.
4. Lastly, tighten the butterfly screw so the BKT 014 bracket and the top of the tripod tube are held firmly into place.
5. The SS-6 is now assembled and ready for use.

Figure 3: Installation of Modulator and Emitter to the BKT 014 Bracket



A174